

PT20

MAGNETIC GPS TRACKER

Asset GPS tracker PT20 is self-contained battery powered device and can be easily moved from vehicle to vehicle, placed in a package, or even used to monitor and track valuable assets.

GPS tracker PT20 is a professional tracking device for transport & logistics industry, refrigerated cargo industry, container tracking, construction, valuable assets and criminal investigation.



FUNCTION

- Real-time Tracking
- Light Sensor and Disassemble Alarm
- Strong Magnetic
- Vibration Alarm
- Long Life Battery
- Multiple Alert Protections

PARAMETER

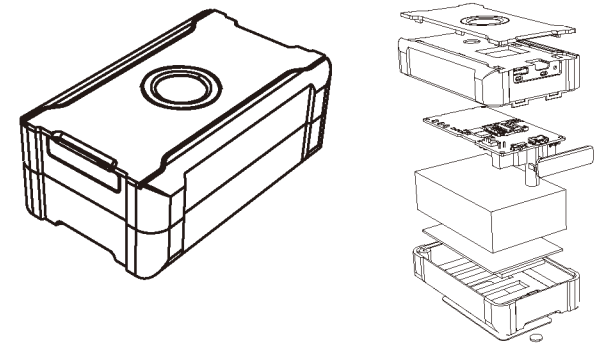
Size	80mm(L)*50mm(W)*32mm(H)	Weight	175g
Working Temperature	-25°C to 80°C	Built-in Battery	6000mAh
Working Voltage	3.7V		
Standby Time	Continuously Positioning 2 hours every day		

HARDWARE SPECIFICATION

Location Accuracy	≤5m	Channel	20 Class
GPS Chip	MTK2503	GPS Sensitivity	-144dBm
GSM Frequency	850/900/1800/1900MHZ	Tracking Sensitivity	-160dBm
Positioning Time	Hot Start<2SEC(Open Sky)	Power LED Indicator	Red
	Warm Start<15SEC	GPS LED Indicator	Blue
	Cold Start<38SEC(Open Sky)	GSM LED Indicator	Yellow
GSM Antenna	Spring Antenna		
GPS Antenna	Built-in 25mm*25mm*2mm Ceramic Antenna		
GPRS	Class12. TCP/IP Built-in GSM Module		

SOFTWARE SPECIFICATION

Data Upgrade Port	Support	Geo-fence	Support
Parameter Setting	SMS Command, Platform	Low Battery Alarm	Support
Location Upload	Upload Interval Every 10 Seconds	Vibration Alarm	Support
Third-party Checking	WEB/APP	Disassemble Alarm	Support
Overspeed Alarm	Support		

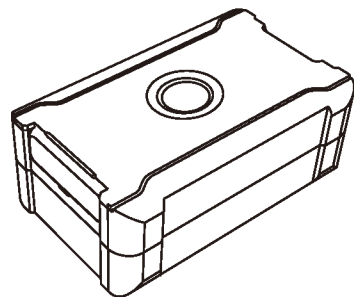


APPLICATION



Long Standby GPS Tracker

User Manual



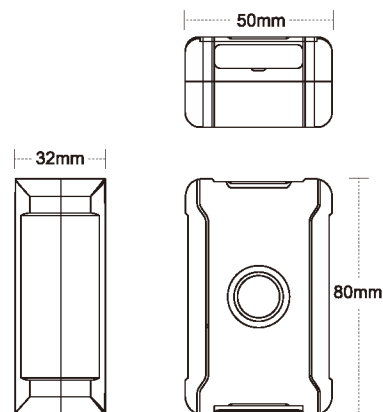
To ensure quick and correct usage, please read the instruction manual carefully before using it.

1 Product introduction

1.1 Specification

Item	Parameter
GSM Frequency	850/900/1800/1900MHZ
Supported location method	GPS/LBS
Location Accuracy	≤5m
Light Alarm	Yes
Device Dimension	80x50x32mm
Battery Volume	6000mAh
Working Voltage	3.7V
Working Temperature	-25 to+85
Weight	175g

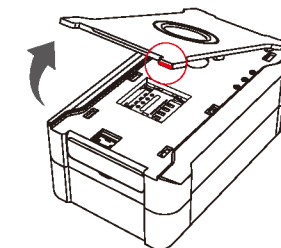
1.2 Device Dimension



1.3 Accessories

Device	1
Charger	1
Cable Power	1
User Manual	1
Certificate Of Competency	1

1.4 Overview

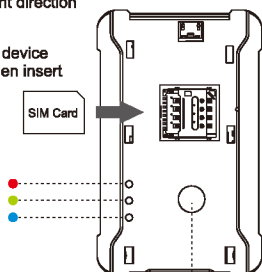


Find the notch and open the device casing

Open the SIM Card shell, insert the SIM Card with right direction as follows:

Attention: Make sure device shut down already, then insert SIM Card

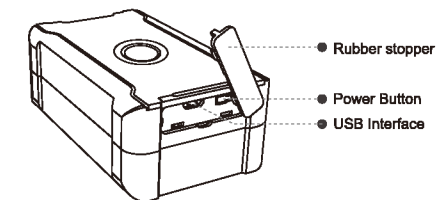
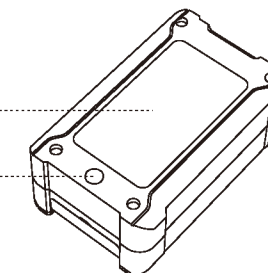
LED Indicator
Power LED Indicator
GSM LED Indicator
Position LED Indicator



Antenna receiving surface

Strong Magnetic

Light Sensor



Power on and Power off

Power on: Long press the switch for more than 3 seconds, the main LED indicator quick flashing, which means working normally, then LED indicator extinguished, which means device enter sleep working mode.

Charging

Open the device silicone plug, connect to external power, red LED indicator long light means device charging, power LED slow flashing means device full charged.

2 Installation

2.1 Check Device

Check device shell and its accessories before installation

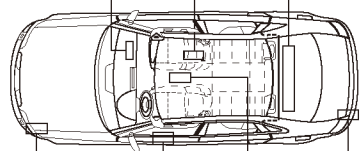
2.2 Install the device

A. Waterproof: Please choose somewhere is waterproof. Be careful to let device stay away from the air conditioning outlet to prevent condensate water from accumulating, which can avoid damaging the service life of the product.

B. Shakeproof: Do not install the device in the position with large vibration amplitude.

C. Tamper-proof: GPS Device should be away from electronic equipment to prevent signal interference.

Co-pilot glove box Under the rear windshield
Under the co-pilot seat



Inside the front bumper Inside the armrest box
Inside the car door box Inside the back bumper

2.3 Installation Precautions

Device magnetic cannot touch somewhere high temperature, for example, car exhaust pipe, otherwise will make magnetic useless.

Please do the payment for the SIM Card per month or per year continuously, device cannot be used if overdue.

Device should be tested after the first installation.

The strong magnetic on the back of device cannot touch the hard disk digital products, which will cause damage to the hard disk.

If any questions, please contact us for help.

3 LED Indicator

LED Indicator	LED Indicator Status
Power LED Indicator (Red)	Long light: External power supply is charging
	Slowly blinking: Power supply or battery full charged
	Quickly blinking: Low backup battery
GSM LED Indicator (Yellow)	No light: LED Indicator broken or sleeping mode
	Quickly blinking: GSM initialization
	Slowly blinking: GSM received normal signal
Location LED Indicator (Blue)	No light: Sleeping mode or no GSM internet
	Quickly blinking: Searching signal
	Slowly blinking: Signal normal
	No light: GPS in sleep mode or abnormal working

4 Device features list

Main features	Description
SOS set or delete	3 SOS numbers can be set or delete
Over-speed alarm	You will receive alarm if over-speed
Geo-fence	You will receive alarm if GPS drive out in somewhere limited
Vibration alarm	You will receive vibration alarm when car feels vibration after turn on its defensive state
Low battery alarm	You will receive low battery alarm once turn on low battery notification
Intelligent power saving mode	Unit set is seconds, default is 10 seconds to locate, which is the most accurate mode, G-SENSOR control gps working at the end, working 4 minutes each time.
Time interval working mode	The unit of time is minutes, and a range of 5-1440 minutes can be set for reporting
GPS/BDS	When no GPS or BDS signal is found, the base station is automatically started for positioning
Light sensor alarm	Light sensor detects light difference when someone is taking off the device to achieve disassemble alarm
Free installation	Strong magnetic, free of installation

PICTOR®

Call Now: 1800 123 2623

www.pictortelematics.com

Precautions

- ▶ Device warranty not including the damage of human factor.
- ▶ Do not put device or its built-in battery in water or fire, do not bend or open the battery.
- ▶ Do not disassemble device, which may cause damage for device due to un-professional handling.

Solutions to common problems

Please contact to sales when you cannot handle problems.

Common problem	Fault description	Solutions
Poor signal	Some poor signal areas like basement, tunnels are not able to acquire GPS signal. Device cannot acquire GPS signal if placed face down or above with metal material layer shielding	Move device to open sky areas. Please put in the correct direction or change the installation position
Unable to boot	Backup battery used up	Full charged before using
Cannot connect internet	SIM Card no data service	Please contact SIM Card operator check data service

Warranty policy

Special statement

This product is subject to any technical change without prior notice. Product appearance and color are subject to the real product.

Replacement policy

We can replace a new one for you if device not damaged by human factor.

Warranty Card

Customers Data

Customers Name		Telephone	
Address			
Model Type		IMEI number	
Purchase Data		Invoice No	
Company Address			

Please reserve the warranty card carefully



PT20 Technical Specification

Parameter	Description
GPS chip	MTK2503D
Dimension	80(L)*50(W)*32(H)
GSM frequency	850/900/1800/1900MHZ
GPRS	Class12.TCP/IP build in GSM Module
Chanel	20
Acquisition sensitivity	-144dBm
Tracking sensitivity	-160dBm
Voltage input	5V
Locating time	Hot<2SEC(Open Sky)
	Warm< 15SEC
	Cold<38SEC(Open Sky)
GSM antenna	Shrapnel antenna
GPS antenna	Built in 25mm*25mm*2mm ceramic chip antenna
SOS button	NO
Power button	YES
Vibration sensor	YES
Oil/electricity Cut off	NO
ACC detection	NO
Power status indication light	RED
GPS light	BLUE
GSM light	Yellow
Built-In Battery	YES
Battery Capacity	6000mA
Data uploading port	YES
Function port	NO

Software specification :

Parameter	Description
Parameter setting	SMS, Platform
GPRS uploading interval	10S
Working mode	Intelligent power saving mode or Interval mode
Remotely voice monitoring	YES
Third party query	WEB/APP
GEO-FENCE	YES
Remotely cut off power	NO
Light Sensor	YES
Vibration alert	YES